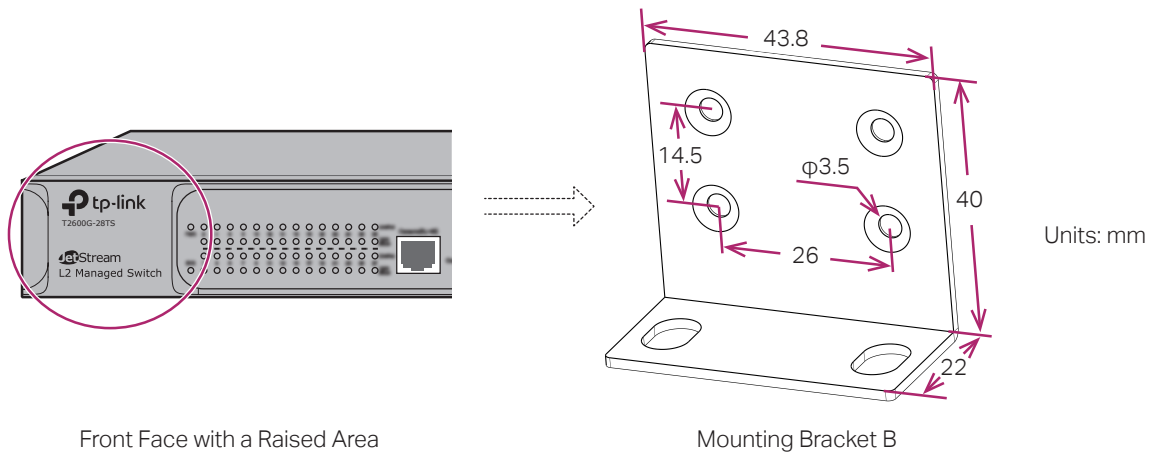




Figure 2 Mounting Bracket for Switches Whose Front Face Has a Raised Area



3) Check how many mounting holes are there on each side of the device.

As the following figure shows, if there are three mounting holes, choose Mounting Bracket C, and if there are four, choose Mounting Bracket D.

Figure 3 Choose Mounting Bracket According to the Quantity of Mounting Holes

